



MFR HD Optical or Thermal PTZ Camera

An Outdoor PTZ Camera with
Either HD Optical or Thermal
Camera Head

The MFR is a very rugged PTZ camera environmentally sealed to IP68. It offers the choice between the inclusion of a HD optical or thermal camera head.

The optical camera incorporates a Sony FCB-EV7520 high definition block camera with a 30x optical zoom lens and a 63.7° wide angle of view. It is capable of outputting up to 1080/60p via a 3G HD-SDI connection.

The thermal camera is available as a PAL or NTSC composite video output with a spectral range between 8 to 14um. It also offers the option to have the video output as encoded IP video up to frame rates of 1080/30p.

It has absolute position feedback and therefore has the ability to self correct its actual position if external forces act upon it. It also offers eight user preset settings that can be saved allowing PTZ framing and camera racking profiles to be easily recalled.

The pan and tilt drive trains are actuated by gearless stepper motors, reducing the operational noise to a minimum. Pan and tilt speeds are zoom factor corrected, giving fine control over the entire range of the lens with pan speeds up to 100° per second.

Remote control of the camera and motor drives is via Sony Visca or PelcoD protocols over RS232 or RS485 serial connections.

Power and data to the camera is via a Fischer minimax connector.

The outer casing is manufactured from aluminium. All external mating surfaces are gasket sealed to maintain its IP68 rating.

Overview

HD-SDI Output - Optical

1080/60p - Optical

30x Zoom - Optical

PAL or NTSC - Thermal

8~14um Spectral Range - Thermal

IP Encoded Video Option

Fast Pan Speeds, 100°/Sec

Progressive Speed Control

High Resolution and Accuracy

Position Recall

User Presets

Multiple Control Protocols

IP68 Rated

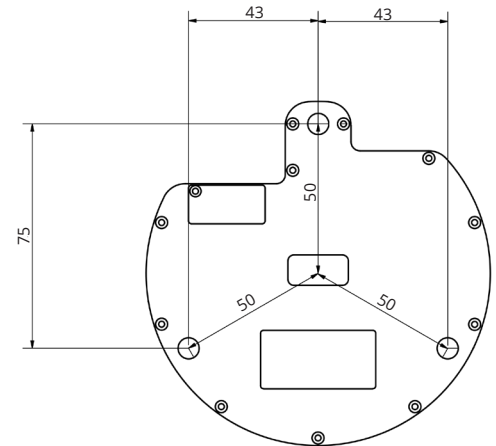
Aluminium Casing



Overall Dimensions



Part Numbers	
Optical Camera	110-3841
Thermal Camera	110-4538
IP Encoded Video	110-4012



Base Plate
Hole Centres

Specifications

Optical Sensor	1/2.8" Type CMOS	User Presets	8
Optical Sensitivity	<0.05 Lux, ICR On	Protocol	RS232/485 Visca, PelcoD
Optical Resolution	1920 x 1080 Pixel	Pan & Tilt Range	270° tilt, Continuous pan
Optical SNR	>50dB	Lens Drive	Silent Stepper
Optical Field of View	63.7°	Pan & Tilt Drive	Low Noise Stepper
Optical Zoom	30x	Power Requirement	9-18V DC, 11.5W
Thermal Output	PAL or NTSC	Environmental	IP68
Thermal Pixel Size	17um	Weight	1.5kg
Thermal Spectral Range	8 ~ 14um	Dimensions	∅ 115 x 182.4mm
NETD	<60mk@30°C	Casing	Aluminium

Visual Engineering Technologies LTD

Kemps Farm
Stanway
Colchester
Essex
CO3 8NB
UK



Tel: +44 (0)1206 211842
Web: www.visualengineering.co.uk
Email: sales@visualengineering.co.uk