



## HD Helmet Camera

Full HD IP Camera Which Mounts onto a Picatinny Rail

The HD Cam is a full HD IP camera which can be connected directly onto a helmet Picatinny rail mount, making it suitable for use in tactical situations.

The camera integrates directly with the Visual Engineering Body Worn Mesh Radio. When coupled with the BWM it provides a complete end to end surveillance system.

The camera has exceptional performance in low light conditions and is supplemented with built in Infrared or white light LED Illumination.

The HD Cam supports variable video resolutions, which ranges from 1920x1080 down to 320x240. Variable frame rate and bitrate adjustments are also possible. All of these parameters can be configured via a web browser interface.

The outer casing is CNC machined aluminium, this rugged build together with its IP67 environmental rating produces a camera that is fit for deployment into tactical field operations.

The camera is designed to have efficient use of power, all connections including power and IP video are combined into one Fisher connector on the rear of the housing.

The recording option features secure micro SD card storage. Access to the stored movie files can be via FTP transfer using the VE Camera Viewer software or an FTP transfer software tool.

A button mounted on the top of the camera controls the activation state of the LED Illuminator. At initial power on the LED will switch on in low light levels determined by the integrated ambient light sensor.

Following power on if the button is pressed it will disable the LED regardless of light level. Further presses of the button will cycle the LED to first switch back to auto state and then to off.

Custom cable assemblies are available on request to interface with leading body worn radios from Silvus and TrellisWare.

### Overview

Helmet Mounted IP Camera

Picatinny Rail Mount

Variable Resolution

1920x1080p

H.264 Video Encoding

Low Light Camera

Sensitivity of 0.05Lux

IR or White LED Illumination

Selectable LED Illumination

SD Recording Option

Body Worn Radio Interface

Web Page Configuration

Low Weight

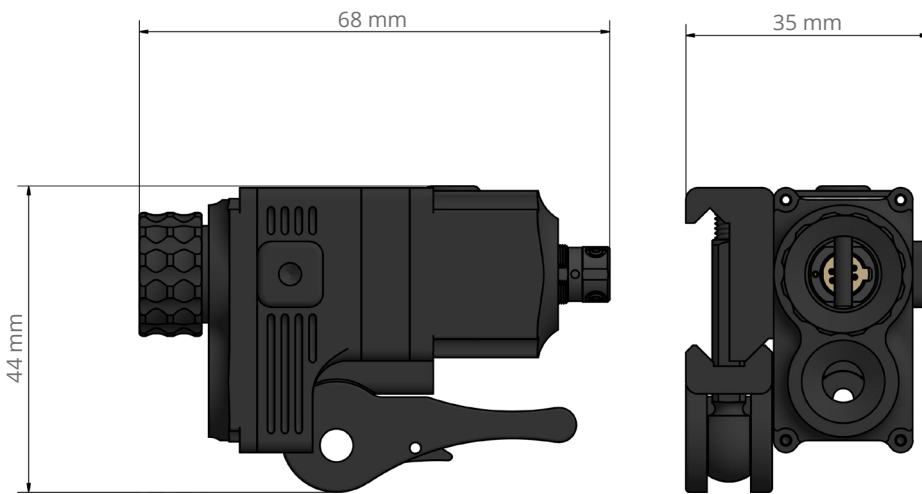
Compact Form

Designed for Tactical Operations

Custom Cables Available



The camera connects directly to a Picatinny helmet rail mount.



Part Number	
HD Cam	110-8908

### Specifications

<b>Camera Sensor</b>	1/3" CMOS	<b>Connector</b>	Fisher
<b>Camera Sensitivity</b>	0.05 Lux, no IR Filter 0.1 Lux, with IR Filter	<b>Power</b>	12v, 1.4W (IR Off)
<b>Max Resolution</b>	1920 x1080p	<b>Recording Option</b>	32GB Micro SD card
<b>Video Encoding</b>	Dual H.264 and MJPEG	<b>Weight</b>	96g 3.4oz
<b>Streaming Protocol</b>	RTSP over TCP or UDP	<b>Environmental</b>	IP67
<b>IR LED</b>	2W, 940nm 5 to 10m Range	<b>Casing</b>	Aluminium
<b>Field of View</b>	90° or 60° optional Changeable M12 lens	<b>Dimensions</b>	68 x 44 x 35 mm 2.7 x 1.7 x 1.4 inches

#### Visual Engineering Technologies LTD

Kemps Farm  
Stanway  
Colchester  
Essex  
CO3 8NB  
UK



**Tel:** +44 (0)1206 211842  
**Web:** [www.visualengineering.co.uk](http://www.visualengineering.co.uk)  
**Email:** [sales@visualengineering.co.uk](mailto:sales@visualengineering.co.uk)