



## MFR 4K

### A 4K Pan Tilt Zoom Camera in a Hermetically Sealed Casing

The MFR 4K is a very rugged PTZ camera environmentally sealed for use in harsh environments.

It incorporates a camera with a 4x Full HD resolution and a 20x optical zoom lens supporting a 70° wide angle of view. It is capable of outputting Quad Full HD, Full HD or lower video resolutions via a water proof HDMI connector.

To ensure it retains its performance and clear optics across a wide range of changing environmental conditions it is a hermetically sealed and can be purged with either dry air or nitrogen.

It has absolute position feedback and therefore has the ability to self correct its actual position if external forces act upon it. It also offers eight user preset settings that can be saved allowing PTZ framing and camera racking profiles to be easily recalled.

The pan and tilt drive trains are actuated by gearless stepper motors, reducing the operational noise to a minimum. Pan and tilt speeds are zoom factor corrected, giving fine control over the entire range of the lens with pan speeds up to 100° per second.

Remote control of the camera and motor drives is via Sony Visca or PelcoD protocols over RS232 or RS485 serial connections.

Power and data to the camera is via its Fischer minimax connector.

The outer casing is manufactured from aluminium. All external mating surfaces are gasket sealed to maintain its IP68 rating.

#### Overview

HDMI Output

4x Full HD Resolution

Other Selectable Resolutions

20x Optical Zoom

30x Zoom Without Compromise

Dry Air or Nitrogen Purged

Fast Pan Speeds, 100°/Sec

Progressive Speed Control

High Resolution Positioning

Position Recall

User Presets

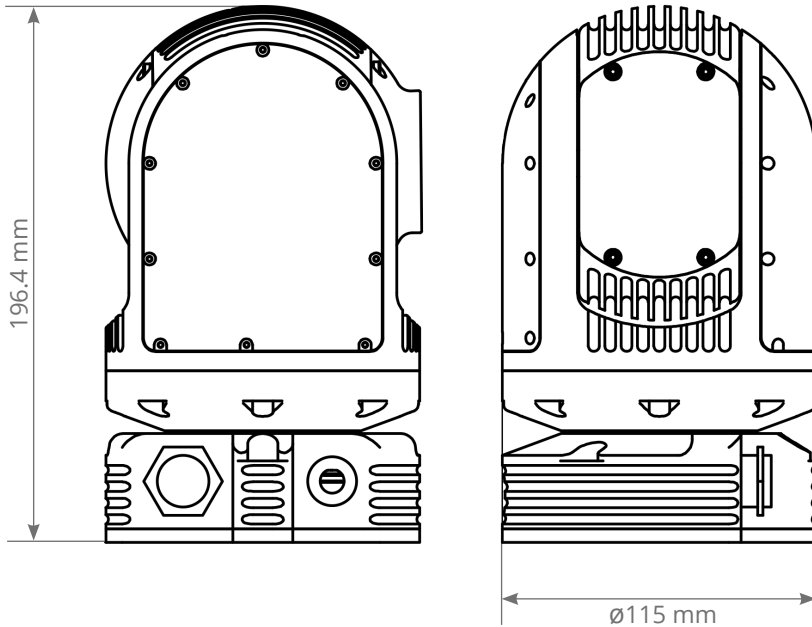
Multiple Control Protocols

IP68 Rated

Aluminium Casing



Overall Dimensions



MFR 4K Camera Kit Contents	
MFR 4K Camera	
Power Comms Cable	
2m HDMI Cable	
AC/DC 12V 3A Power supply	
USB Memory Stick	
Peli Case	
Part Number	
MFR 4K Kit	110-0035

Specifications			
<b>QFHD Resolution</b>	2160p/29.97, 2160p/25	<b>Purge Type</b>	Dry Air or Nitrogen
<b>FHD Resolution</b>	1080p/59.94, 1080p/50	<b>Video Interface</b>	HDMI
<b>Sensor</b>	1/2.5 Type CMOS	<b>Control Protocol</b>	Visca, PelcoD
<b>Pixels</b>	8.51M	<b>Pan &amp; Tilt Range</b>	270° Tilt, Continuous Pan
<b>Optical Zoom</b>	20x	<b>Pan &amp; Tilt Drive</b>	Low Noise Stepper
<b>Digital Zoom</b>	1.5x QFHD, 2.0x FHD	<b>Power Requirement</b>	9-18V DC, 11.5W
<b>Lens</b>	f=4.4mm (Wide), 88.4mm (Tele)	<b>Environmental</b>	IP68
<b>Field of View</b>	70° to 4°	<b>Weight</b>	1.5kg
<b>Sensitivity</b>	0.06 lux, ICR Off	<b>Dimensions</b>	ø 115 x 196.4 mm
<b>Image Stabilisation</b>	Enabled	<b>Casing</b>	Aluminium

**Visual Engineering Technologies LTD**

Kemps Farm  
Stanway  
Colchester  
Essex  
CO3 8NB  
UK



**Tel:** +44 (0)1206 211842  
**Web:** www.visualengineering.co.uk  
**Email:** sales@visualengineering.co.uk