



## MFR-DB

### A Dual Optical & Thermal PTZ Camera

The MFR-DB is a dual band PTZ camera incorporating both an optical and a thermal camera. Housed in a very rugged environmentally sealed casing it is ideal for use in harsh environments.

It incorporates a Sony HD camera with a 30x optical zoom lens and a 63.7° wide angle of view.

The Flir thermal camera incorporates radiometric technology which delivers high precision temperature monitoring. The camera also supports spot metering to further optimise the exposure control for each particular scenario.

The HD-SDI video signal output can be user switched between either camera as and when required.

There is also the option to have the video output as an encoded ONVIF compliant stream for use in IP networks.

The MFR-DB has absolute position feedback and therefore has the ability to self correct its actual position if external forces act upon it. User presets can be saved allowing PTZ framing and camera racking profiles to be easily recalled.

Pan and tilt movement is driven by gearless stepper motors, reducing the operational noise to a minimum. Speeds are zoom factor corrected, giving fine control over the entire range of the lens with pan speeds up to 100° per second.

Remote control of the camera is through the optional IP encoder or via Visca or PelcoD protocols over an RS232/RS485 serial connection.

All power, data and video signals are through the Fischer MiniMax connector on the camera's base.

The outer casing is manufactured from aluminium. All external mating surfaces are gasket sealed to maintain its IP68 rating.

#### Overview

HD-SDI Output

Optical 1080/30p

30x Optical Zoom

Radiometric Thermal Technology

Thermal Spot Metering

ONVIF IP Encoded Option

Fast Pan Speeds, 100°/Sec

Progressive Speed Control

High Resolution and Accuracy

Position Recall

User Presets

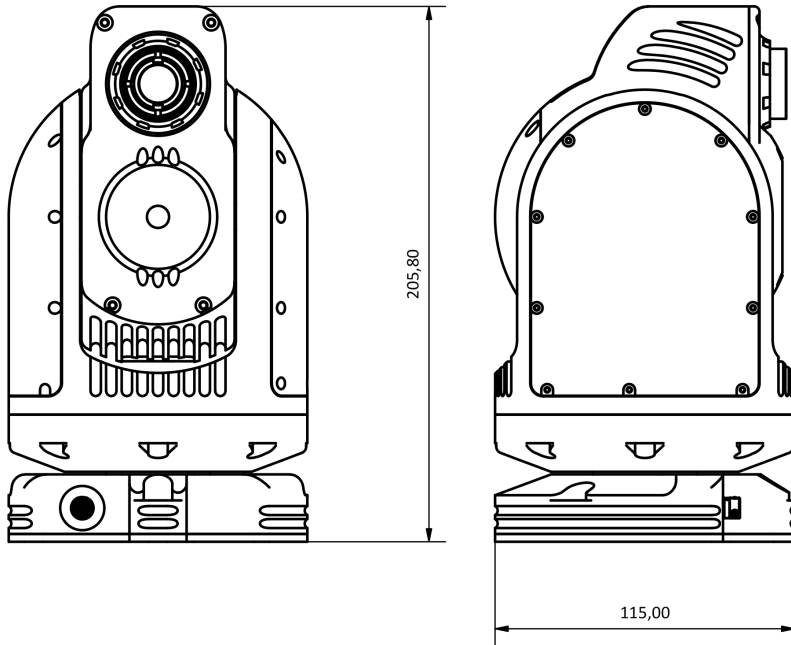
Multiple Control Protocols

IP68 Rated

Aluminium Casing



Overall Dimensions



MFR-DB Kit Contents
MFR-DB Camera
Power Comms Cable
AC/DC Power supply
USB Memory Stick
Peli Flight Case

MFR-DB Kit Part Number
110-0545

Specifications			
<b>Optical Sensor</b>	1/2.8" Type CMOS	<b>Radiometric Technology</b>	As Standard
<b>Optical Sensitivity</b>	< 0.05 Lux, ICR On	<b>Thermal Spot Metering</b>	Enabled
<b>Optical Resolution</b>	1920 x 1080 Pixel	<b>IP Encoded Option</b>	ONVIF Compliant
<b>Optical SNR</b>	> 50dB	<b>Serial Protocol</b>	RS232/485 Visca, PelcoD
<b>Optical Field of View</b>	63.7°	<b>Pan &amp; Tilt Range</b>	360° Pan , 270° Tilt
<b>Optical Zoom</b>	30x	<b>Connector</b>	Fischer MiniMax
<b>Thermal Resolution</b>	640 x 320 Pixel	<b>Environmental</b>	IP68
<b>Thermal Lens</b>	9mm	<b>Weight</b>	2kg
<b>Thermal Field of View</b>	69° H, 56° V	<b>Dimensions</b>	ø115 x 206 mm
<b>NEdT</b>	< 30mK	<b>Casing</b>	Aluminium

**Visual Engineering Technologies LTD**

Kemps Farm  
Stanway  
Colchester  
Essex  
CO3 8NB  
UK



**Tel:** +44 (0)1206 211842  
**Web:** www.visualengineering.co.uk  
**Email:** sales@visualengineering.co.uk