



NanoCube HD

Miniature 1080p/60 3G HD-SDI Camera

The NanoCube HD camera offers a true 3G HD-SDI video output in a tiny package.

It supports full resolution 1920x1080p/60 image encoding.

The head itself is just 17x17x16.5mm, making it ideal for broadcast and surveillance applications where mounting space is very limited.

It is available with a tiny cube body which houses a pinhole lens or with a slightly extended body length which will accommodate a M12 Lens.

The camera is powered via its coax cable and can connect directly to transmission equipment that supports power over SDI.

A DC insertion module is also provided for applications where power over SDI is not supported.

The 3G HD-SDI signal will drive down long cable lengths of up to 6m. The system is supplied as standard with a 3m interface cable.

It is very power efficient, consuming just 1.7 watts.

Overview

Miniature HD Camera

3G HD-SDI Output

1920x1080p/60 Resolution

M12 Lens Variant

Pinhole Lens Variant

High Sensitivity of 0.1 Lux

Auto Day / Night Mode

Head Size of 17x17x16.5mm

MMCX Interface

Spare Pinhole Lenses

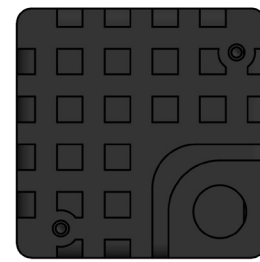
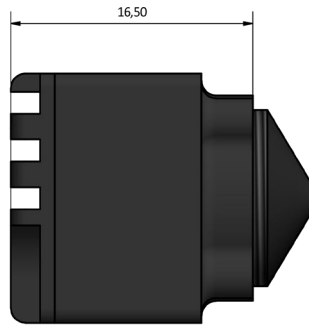
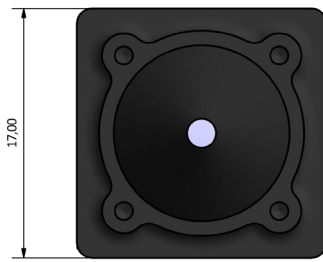
Long M12, C & CS Adaptors

Mounting Brackets

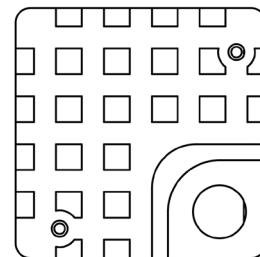
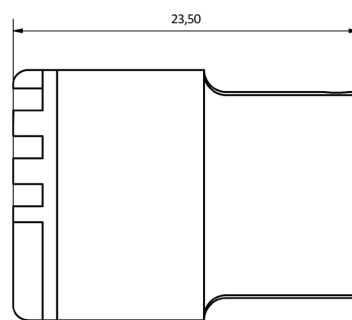
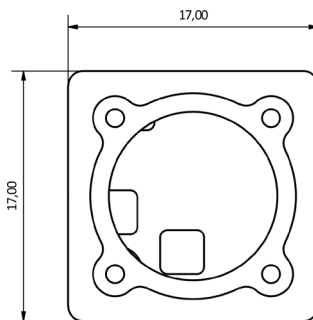
Low Power, 1.7Watts



Dimensions
in mm



Pinhole
NanoCube



M12
NanoCube

Camera	Lens Type	Part Number
NanoCube HD	Pinhole	110-4285
NanoCube HD - Full Boss	M12	110-4297

Specifications			
Camera Sensor	2Megapixel, CMOS	Inserter Voltage	9 to 18V
Camera Sensitivity	0.1 Lux	Cable Voltage	5.5V
Camera Resolution	1920x1080p/60	Power	1.7 Watts
Pinhole Lens Kit	2.5mm, 2.1mm & 4.3mm pinholes	Environmental	IP65
Lens Mount	M12	Dimensions Pinhole	17 x 17 x 16.5mm
HD-SDI Connector	MMCX Jack	Dimensions M12	17 x 17 x 23.5mm

Visual Engineering Technologies LTD

Kemps Farm
Stanway
Colchester
Essex
CO3 8NB
UK



Tel: +44 (0)1206 211842
Web: www.visualengineering.co.uk
Email: sales@visualengineering.co.uk