



TM-K9 System

Canine Specific Wireless Camera System

The TM-K9 is a wireless camera system specifically designed for canine use, it is comprised of two main components, the TM-K9 Camera and the TM-RX Receiver, both of which contain a DTC Mesh enabled radio.

The system has been designed for ease of use, effectively operating straight out of the box.

Demand for system flexibility has led to Mesh being the first choice for video transmission. A digital Mesh radio network allows encoded video and audio to be exchanged and shared between several nodes simultaneously.

COFDM point to point transmission is supported as a system option with a UHF telemetry option to support system control whilst in this mode.

Both the TM-K9 and TM-RX are battery powered with the supplied Li-Ion batteries, these can be recharged using the charger supplied in the kit and are compatible with both units, reducing system complexity.

The TM-K9 is typically mounted on the dog's spine, it offers excellent range and can typically operate 150m in a non-line of sight scenario even in the most demanding and cluttered of RF environments.

The TM-K9 also incorporates modulated IR and white LEDs, this is housed in an innovative rugged waterproof enclosure with a sprung loaded arm, which when released activates the system.

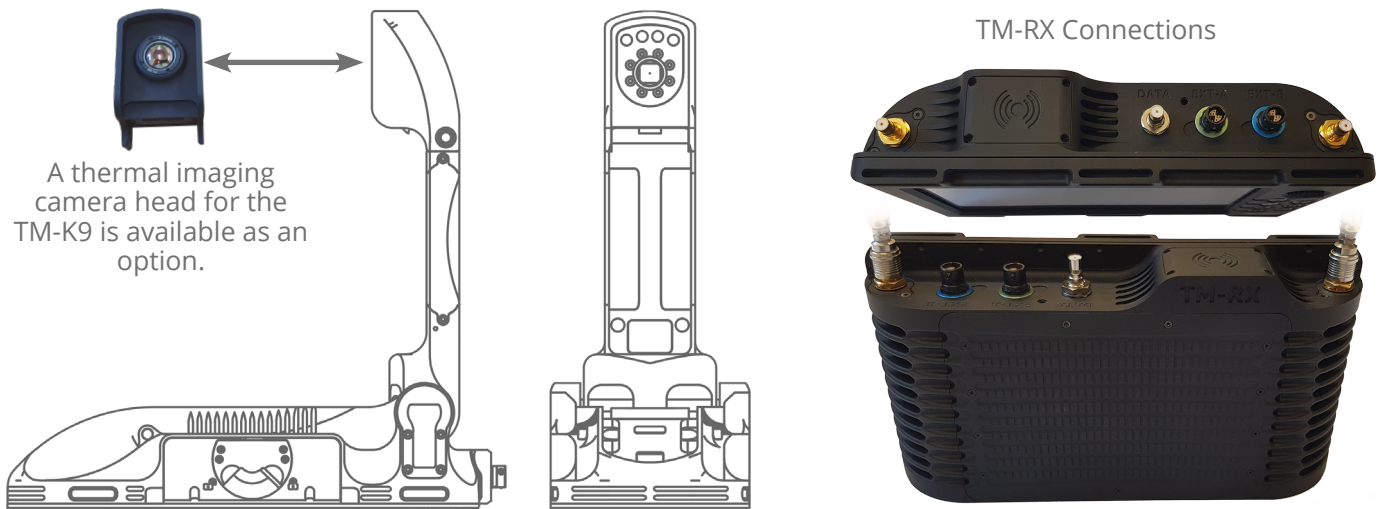
Canine handlers can observe the dog's POV video using the TM-RX Receiver, which incorporates a joystick, button and touch-screen interface allowing the user to control a wide range of system parameters.

Two way audio communications between the dog and handler are supported, as is GPS positioning and the option of on-board video recording.

Security of the link is ensured either through standard DES encryption or optional AES128 or AES256.

Overview

Canine Specific
DTC Mesh Network
Configurable System
HD Video
Thermal Camera Option
GPS Positioning
Telemetry Control Path
IR LED Illumination
White LED Illumination
Two Way Audio Communications
Battery Powered
System Configurable - On Screen
Recording Option
Encrypted Transmission
IP67 Rated
Scratch Resistant Screen
Rugged Build for Tactical Operations



Specifications			
Camera Sensor	2 MegaPixel, CMOS	Screen	1920 x 1080 Pixels Scratch Resistant
Camera FOV	132°H 104°V	Recorder Option	256GB Solid State Hard Disk
RF Frequency	L-Band, S-Band, C-Band	Positioning	GPS
Radio	DTC SDR Mesh/COFDM	Battery Capacity	3.35Ah
RF Range	>150m NLOS (Cluttered) >1KM LOS	Run Time	>2 Hours - Continual Use
IR LED	10m Range, 940nm	Input Voltage	10 to 18V DC
Video Encoding	H.264 & MJPEG @30fps	Temperature	-20 to +50°C
IP Video Streaming	RTSP, RTP over TCP or UDP	Environmental	IP67
Thermal Camera Option	320 Resolution 9Hz to 50Hz - Regional	TM-RX Dimensions	190 x 100 x 42mm
Encryption	DES or AES128, AES256 (Optional)	TM-K9 Dimensions, Open	227 x 226 x 90 mm

Visual Engineering Technologies LTD

 Kemps Farm
 Stanway
 Colchester
 Essex
 CO3 8NB
 UK


Product specifications subject to change without notice

Tel: +44 (0)1206 211842
Web: www.visualengineering.co.uk
Email: sales@visualengineering.co.uk