



## BulletCamHD HD-SDI Camera

A Rail Mounted Tactical  
HD-SDI Camera

The BulletCamHD is an extremely rugged camera which produces a high quality HD-SDI video output at a resolution of 1920x1080 25/30p from a 3.1Mega pixel sensor.

It has a high sensitivity at low light levels and incorporates auto day/night mode switching.

To ensure a tightly packaged design the connections have been reduced to a minimum, with the camera's power being provided via its coaxial cable connection.

The supplied HBC coaxial cable connects directly into the DTC Special Role Radio.

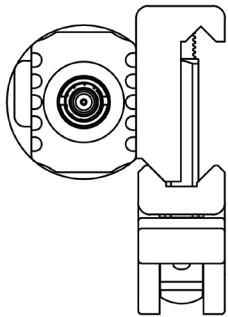
The pairing of the two products provides a powerful tactical body worn camera solution.

The lens offers excellent clarity and provides a 120° field of view.

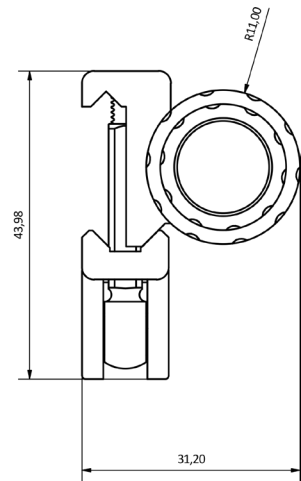
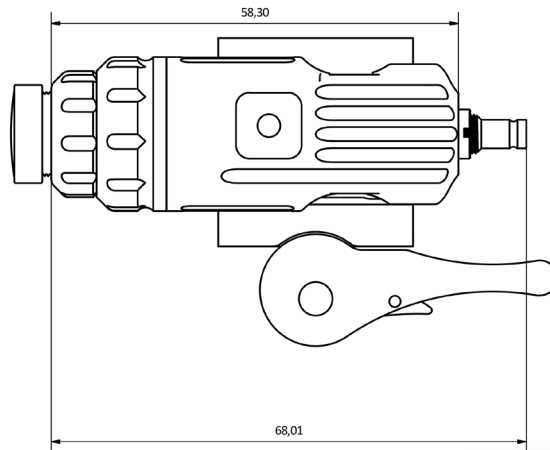
The camera comes supplied with a rail interface which is designed to mount directly onto a helmet. It also has a 1/4"20 thread for tripod mounting.

The housing is aluminium, CNC machined to a high standard. Together with its waterproof IP68 rating it makes for an extremely robust camera that is fit for tactical deployments.

Overview
HD-SDI Output
1920 x 1080 25/30p Resolution
Power Over Coaxial Cable
Direct Connection to DTC SRR
High Sensitivity of 0.1 Lux
Auto Day / Night Mode
M12 Lens Fitting
Supplied With Rail Mount
1/4"20 Tripod Mount
IP68 Rated
Light Weight
Compact Rugged Build
Aluminium CNC Machined



All dimensions are in mm



Fitted to a helmet rail mount

Part Numbers	
HD-SDI BulletCam	110-4243
HBC Coaxial Cable	110-3569

Specifications			
<b>Camera Sensor</b>	3.1Megapixel, CMOS	<b>Rail Mount</b>	Supplied
<b>Video Output</b>	HD-SDI	<b>Power Supply</b>	Via HBC Coaxial Cable
<b>Resolution</b>	1920x1080 25/30P	<b>Integration</b>	Direct Connection to DTC SRR
<b>Sensitivity</b>	0.1 Lux	<b>Operating Temp Range</b>	-20°C to +60°C
<b>Field of View</b>	120°	<b>Environmental</b>	IP68
<b>Lens Mount</b>	M12	<b>Weight Inc. Rail Mount</b>	80g
<b>Mounting</b>	Rail Mount & 1/4"20 Tripod Mount	<b>Dimensions</b>	68 x 44 x 31mm

**Visual Engineering Technologies LTD**

Kemps Farm  
Stanway  
Colchester  
Essex  
CO3 8NB  
UK



**Tel:** +44 (0)1206 211842  
**Web:** [www.visualengineering.co.uk](http://www.visualengineering.co.uk)  
**Email:** [sales@visualengineering.co.uk](mailto:sales@visualengineering.co.uk)