



## MFR-DB

### A Dual Optical & Thermal PTZ Camera

The MFR-DB is a dual band PTZ camera incorporating both an optical and a thermal camera. Housed in a very rugged environmentally sealed casing it is ideal for use in harsh environments.

It incorporates a Sony HD camera with a 30x optical zoom lens and a 63.7° wide angle of view.

The Flir thermal camera incorporates radiometric technology which delivers high precision temperature monitoring. It supports an 8x digital zoom and spot metering to further optimise the exposure control for each particular scenario.

The HD-SDI video signal output can be user switched between either camera as and when required. The zoom is synchronised between the two cameras, up to the maximum FOV capability of the thermal camera. This allows convenient switching between the two camera views.

Speeds are zoom factor corrected, giving fine control over the entire range of the lens with pan speeds up to 100° per second.

The MFR-DB has absolute position feedback and therefore has the ability to self correct its actual position if external forces act upon it. User presets can be saved allowing PTZ framing and camera racking profiles to be easily recalled.

There is the option to have the video output as an encoded ONVIF compliant stream for use in IP networks. Remote control of the camera is through the optional IP encoder or via Visca or PelcoD protocols over an RS232/RS485 serial connection.

All power, data and video signals are through the Fischer MiniMax connector on the camera's base. The outer casing is manufactured from aluminium. All external mating surfaces are gasket sealed to maintain its IP68 rating.

#### Overview

HD-SDI Output

Optical 1080/30p

30x Optical Zoom

Thermal Camera 8x Digital Zoom

Zoom Synchronisation

Radiometric Thermal Technology

Thermal Spot Metering

ONVIF IP Encoded Option

Fast Pan Speeds, 100°/Sec

Accurate Progressive Speed Control

Position Recall

User Presets

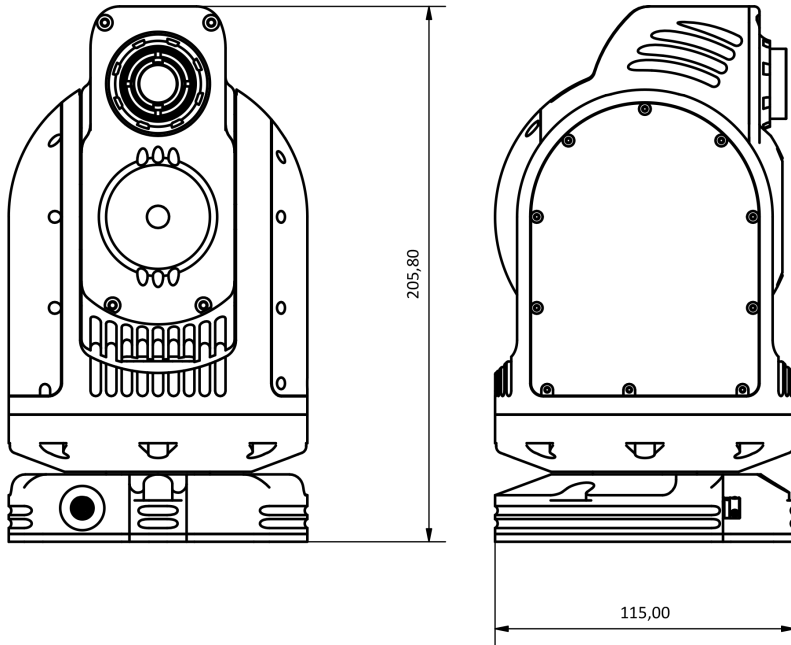
Multiple Control Protocols

IP68 Rated

Aluminium Casing



Overall Dimensions



**MFR-DB Kit Contents**

MFR-DB Camera
Power Comms Cable
AC/DC Power supply
USB Memory Stick
Peli Flight Case

**MFR-DB Kit Part Number**

110-0545
----------

**Specifications**

<b>Optical Sensor</b>	1/2.8" Type CMOS	<b>Radiometric Technology</b>	As Standard
<b>Optical Sensitivity</b>	< 0.05 Lux, ICR On	<b>Thermal Spot Metering</b>	Enabled
<b>Optical Resolution</b>	1920 x 1080 Pixel	<b>IP Encoded Option</b>	ONVIF Compliant
<b>Optical SNR</b>	> 50dB	<b>Serial Protocol</b>	RS232/485 Visca, PelcoD
<b>Optical Field of View</b>	63.7°	<b>Pan &amp; Tilt Range</b>	360° Pan , 270° Tilt
<b>Optical Zoom</b>	30x	<b>Connector</b>	Fischer MiniMax
<b>Thermal Resolution</b>	640 x 512 Pixel	<b>Environmental</b>	IP68
<b>Thermal Lens</b>	9mm	<b>Weight</b>	2368 grams
<b>Thermal Field of View</b>	69° H, 56° V	<b>Dimensions</b>	ø115 x 206 mm
<b>NEdT</b>	< 30mK	<b>Casing</b>	Aluminium

**Visual Engineering Technologies LTD**

Kemps Farm  
Stanway  
Colchester  
Essex  
CO3 8NB  
UK



Product specifications subject to change without notice

**Tel:** +44 (0)1206 211842  
**Web:** www.visualengineering.co.uk  
**Email:** sales@visualengineering.co.uk